

Vents 100 CF turbo



Maximum capacity - 122 m³/h.

DESCRIPTION

APPLICATIONS

- Continuous or periodic exhaust ventilation of bathroom, showers, kitchens and other utility spaces.
- Ventilation shaft mounting or duct connection.

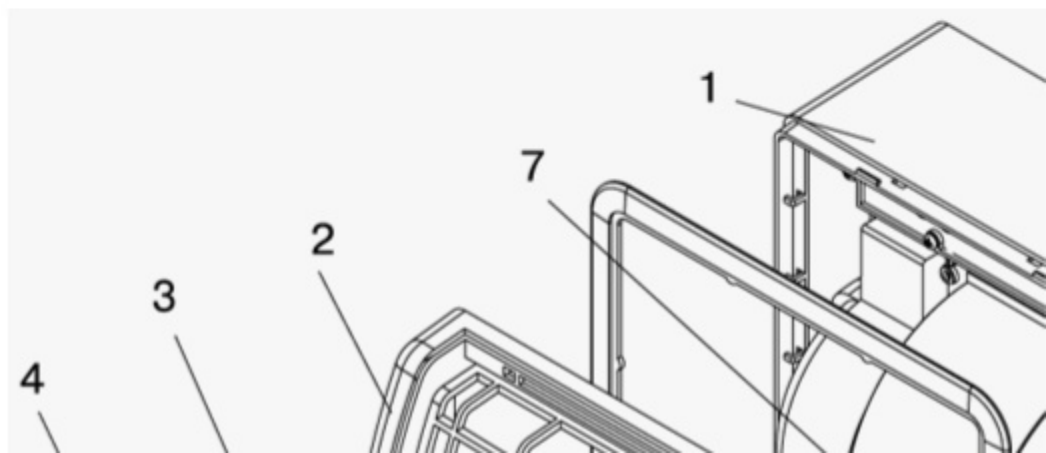
- Designed for high-
- Compatible with 100

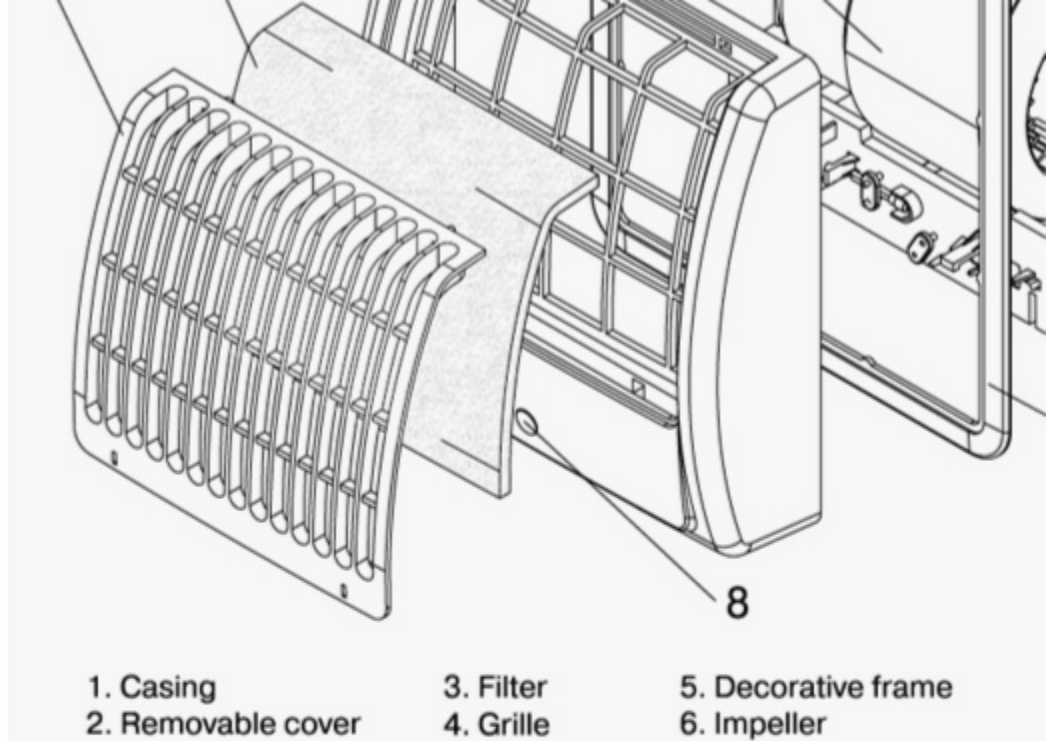
Que

DESIGN

- Modern design and aesthetic look.
- The casing and the impeller are made of high-quality durable ABS plastic, UV resistant.
- The easy to use removable grille with a filter element protects the fan internal components against grease and dust penetration and makes it suitable for kitchen exhaust ventilation.
- The basic **CF** fan modification includes a dust filter. Aluminium grease filter configurations are also available (**CFA** model).

- The centrifugal fan in
- levels.
- Protection rating IP 2





MOTOR

- Reliable and low-watt single-phase electric motor.
- The basic motor modification includes plain bearings.
- The „turbo“ modification includes the motor equipped with ball bearings mounted on specially designed vibration dampers.
- Designed for continuous operation.
- Equipped with overheat protection.

CONTROL

Manual:

- The fan is controlled by a room light switch. It is not included in the delivery package.
- The fan is controlled by the built-in pull cord switch **V**. Not applied in case of ceiling mounting.
- Speed control is possible through a thyristor speed controller (see Electrical Accessories). Several fans may be connected to the same regulator unit. Speed controllers can not be connected to the fans with **T, TH, TP, VT, VTH** modification.

Automatic:

- By the electronic controller supplied separately.

MOUNTING FEATURES

- Suitable for external or built-in mounting.
- Flexible duct application is recommended in case of remote location of the ventilation shaft. The air duct is connected to the fan exhaust flange through a clamp.
- Fixed to the wall by self-tapping screws or fixing brackets.
- Suitable for ceiling mounting.
- For 12 V low-voltage applications, a transformer or power supply unit is required.

MOUNTING EXAMPLES





Wall surface mounting



Wall fl

CHARACTERISTICS

MODIFICATIONS

Modifical Humidity sensor Timer

VENTS 100 CF turbo

VEN
turbc

VENTS 100 CFT
turbo



VEN'
turbo



VENTS 100 CFV
turbo



VEN'
turbo



VENTS 100 CFV
turbo

VEN'
turbo

VENTS 100 CFV
turbo



VEN'
turbo



VENTS 100 CFV
turbo



VEN'
turbo



VENTS 100 CFV
turbo



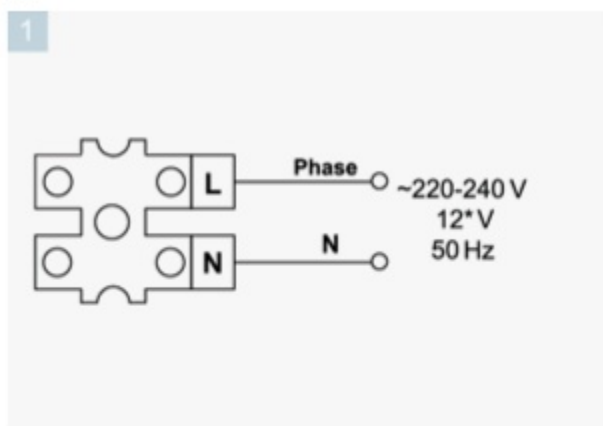
VEN'
turbo



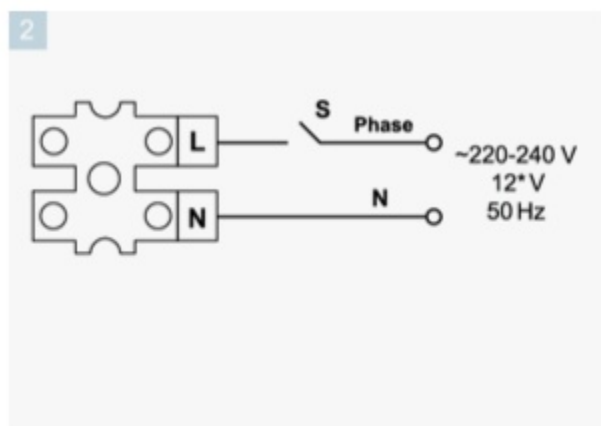
DIMENSIONS

WIRING PLAN

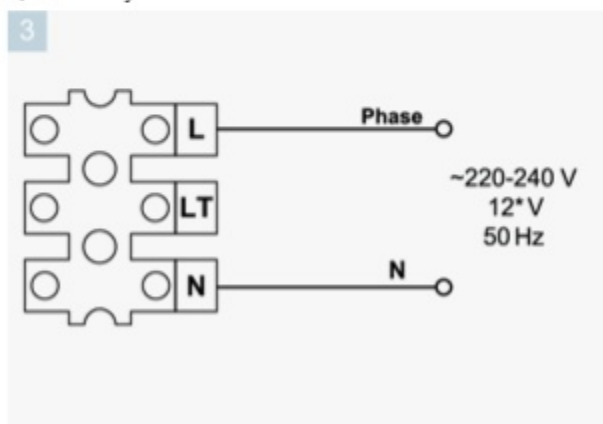
Wiring diagram for the fans equipped with a built-in switch



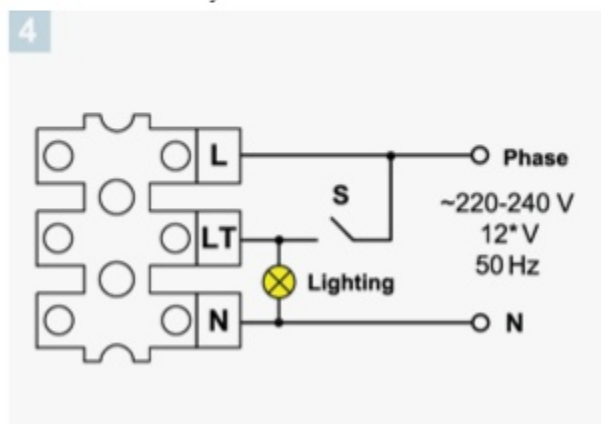
Wiring diagram for the fans without built-in switch



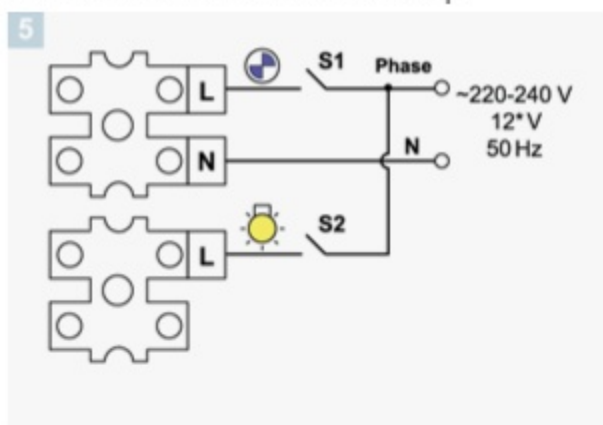
Wiring diagram for the fans equipped with a timer / timer, humidity sensor and a built-in switch



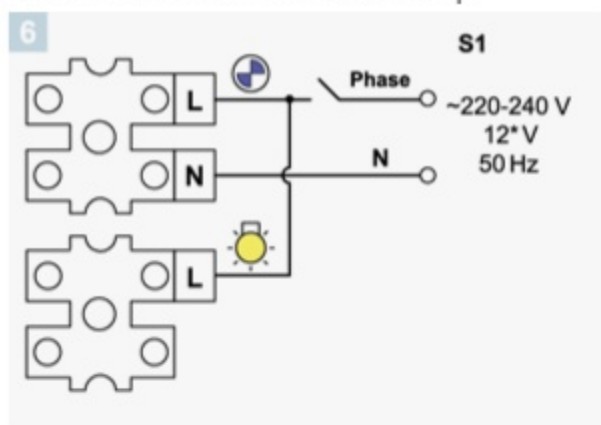
Wiring diagram for the fans equipped with a timer / timer with a humidity sensor without built-in switch



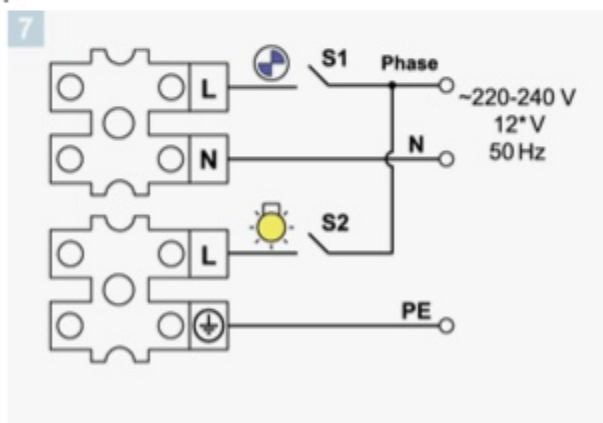
Wiring diagram for the fans with a light lamp. Separate activation of the fan and the built-in lamp.



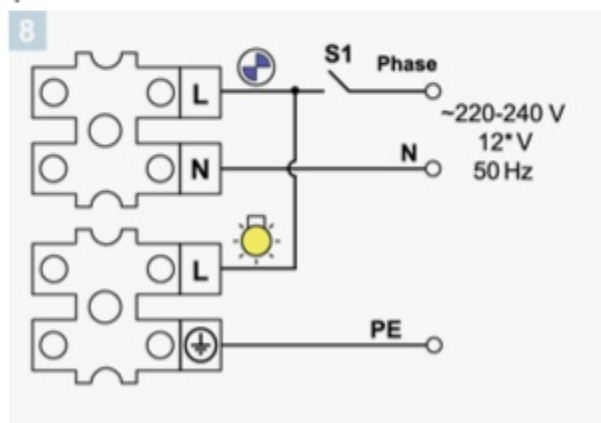
Wiring diagram for the fans with a light lamp. Parallel activation of the fan and the built-in lamp.



Wiring diagram for the fans with an light lamp and grounding. Separate activation of the fan and the built-in lamp.

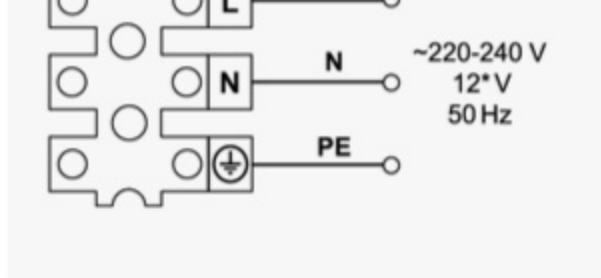


Wiring diagram for the fans with a light lamp and grounding. Parallel switching of the fan and the built-in lamp.



Wiring diagram for the fans with grounding
















* - only for fans designed for 12 V rated voltage (specified on the fan casing and packing).
S, S1, S2 - external switches.

Operating logic of the fans with optional equipment

- The fan equipped with a timer is activated by the control voltage supplied to LT input. After the control voltage is disconnected the fan continues operating within the time period within 2 to 30 minutes according to the timer settings. The turn-off delay time is adjusted by turning the respective potentiometer T control knob clockwise to increase and counter-clockwise to reduce it.
- The fan equipped with a timer and humidity sensor is activated by the control voltage supplied to LT input or in case of exceeding the preset humidity threshold value adjustable from ~60% to ~90%. After the control voltage is disconnected or as the humidity level H drops below the set threshold the fan continues operating within the time period within 2 to 30 minutes according to the timer settings. The turn-off delay time and the threshold humidity level are adjusted by turning the control knob of the respective potentiometer T for timer and H for humidity sensor clockwise to increase and counter-clockwise to reduce the set value. To set the maximum humidity level (90%) set the potentiometer control knob for H max position.
- The fan equipped with a timer and motion sensor is activated in case of the moving detection at the distance from 1 m to 4 m with 100° detection angle. After motion is off the fan continues operating within the time period within 2 to 30 minutes according to the timer settings. The turn-off delay time is adjusted by turning the respective potentiometer T control knob clockwise to increase and counter-clockwise to reduce it.
- Wiring diagram for connection of the light lamp to the fan timer operated by the common switch is shown on diagram 4. Upon the light lamp disconnection the fan continues operating according to the timer setting within the set time period.

LEGEND

Picture symbol	Designation	Modification description
	CFA	Fan with an aluminium grease filter.
	CF 100 turbo	High-powered motor. The motor is equipped with ball bearings for long service life (appr. 40 thousand hours) and mounted on specially designed vibration mounting. The bearings are maintenance-free and contain enough grease for the entire operating period.
	CF 100 T	Equipped with a regulated timer with the operating time from 2 to 30 minutes.

	CF 100 TH	Equipped with a timer with the operating time from 2 to 30 minutes and a humidity sensor with the threshold value from 60 to 90%.
	CF 100 V	Equipped with a pull cord switch.
	CF 100 VT	Equipped with a pull cord switch and a regulated timer with the operating time adjustable from 2 to 30 minutes.
  	CF 100 VTH	Equipped with a pull cord switch, regulated timer with the operating time adjustable from 2 to 30 minutes and a humidity sensor with the operating threshold range from 60% to 90%.
	CF 100 TP	Equipped with a regulated timer and a motion sensor with the sensitivity area from 1 to 4 m and the detection angle up to 100°.
	CF 100 12	Modification with low-voltage motor. 12 V AC power supply.

EXAMPLE OF INSTALLATION

