



IN-LINE MIXED FLOW DUCT explosion proof FANS **TD ATEX Series**

**TD-800/200 EXEIICT3
(230V50HZ) VE**



Explosion proof versions in accordance with ATEX Directive, for single phase 230V-50Hz. Motors IP44, Class B. For ambient working temperatures from -20°C to +40°C.

- ATEX Increased safety - Gas

For model 800.

II 2G Exe IIC T3 Gb

EC: LOM 08 ATEX 2052 X Supplement 2.

For models 1100 and 1200.

II 2G Exe IIC T3 Gb

EC: LOM 11 ATEX 2021 X Supplement 1.

See data for selection, or refer to Easyvent.



Low profile in-line mixed flow duct explosion proof fans. TD-800 Ex is manufactured in antistatic plastic material. The others models are manufactured from sheet steel protected with black polyester paint coating. Detachable fan unit without demounting duct connections.

+ Attributes



Mixed flow impeller
Efficient performance mixed flow impeller.



External terminal box and ATEX capacitor.
External terminal box, IP55, easy access, fireproof plastic V0.



Earth connection

+ Acoustic characteristics

Hz	63	125	250	500	1k	2k	4k	8k	Overall
Inlet (LwA)	27	43	53	61	69	69	65	56	73
Inlet LpA @ 1.5m	12	28	38	46	54	54	50	41	59
Outlet (LwA)	50	50	53	64	69	71	66	56	74
Outlet LpA @ 1.5m	35	35	38	49	54	56	51	41	60
Breakout (LwA)	7	38	37	44	58	61	52	39	63
Breakout LpA @ 1.5m	-8	23	22	29	43	46	37	24	49

11

+ Technical characteristics

CONSTRUCTION

Discharge diameter200 mm

Fan size200

Weight5.00 kg

MOTOR CHARACTERISTICS

Number of poles2

Voltage1-230V-50Hz

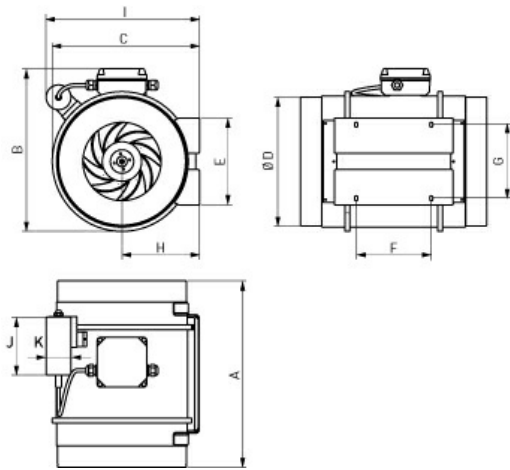
Maximum absorbed current0.5 A

IP RatingIP44

Motor insulation classB

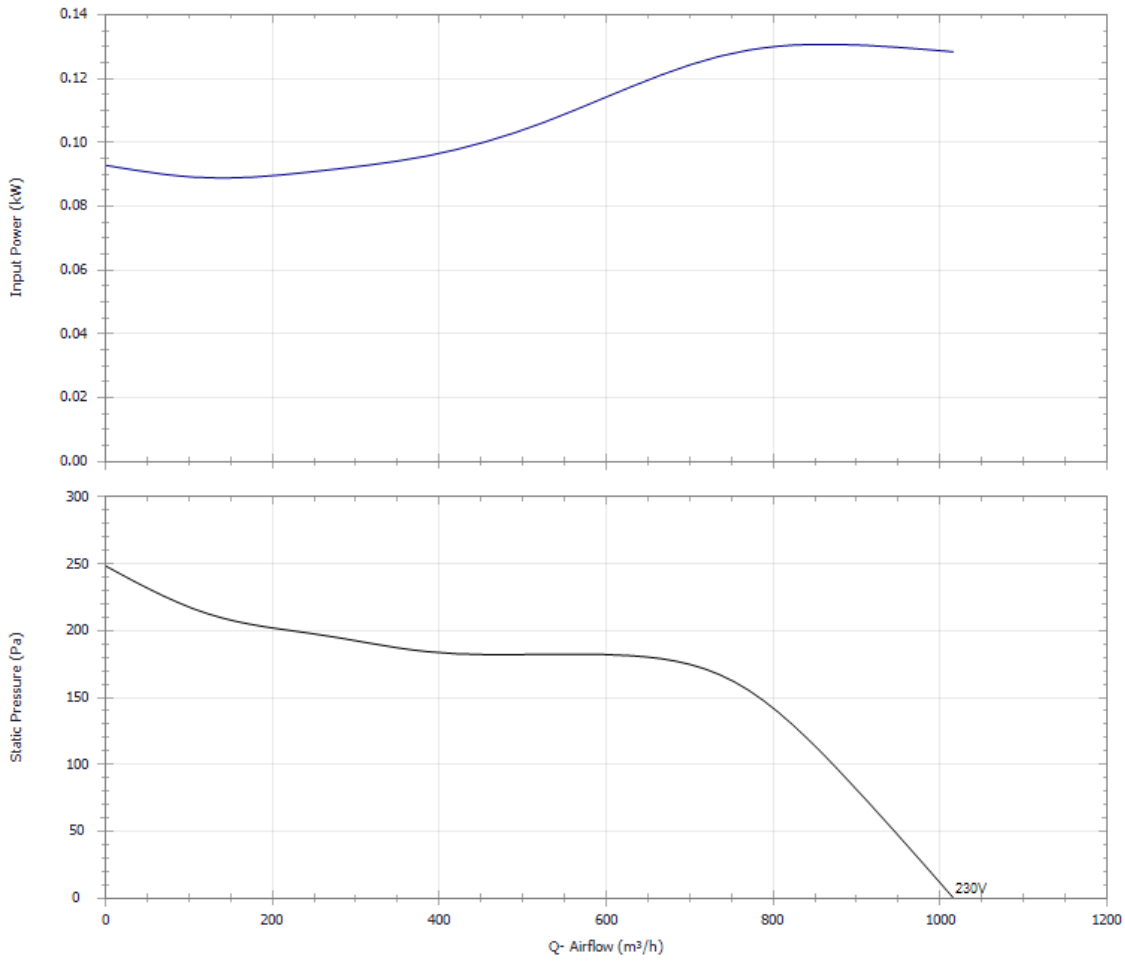
11

+ Dimensions



A	B	C	D	E	F	G	H	I	J	K
302	255	232.5	198	140	100	94	124	228.4	140	60

+ Curves



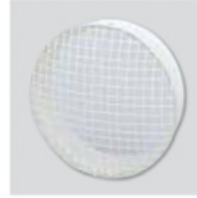
+ Mounting Accessories



MAR
Rectangular duct adapters



ACOPEL EX
Proof explosion flexible connection.



MRJ
Grilles mounted at the inlet or outlet of the fan, to prevent the entry of any foreign objects that could damage the fan.